

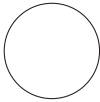


Binocular Focusing

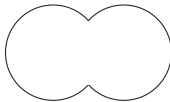
How to Adjust Your Center-focus Binocular

1. Pull apart the barrels of your binocular:

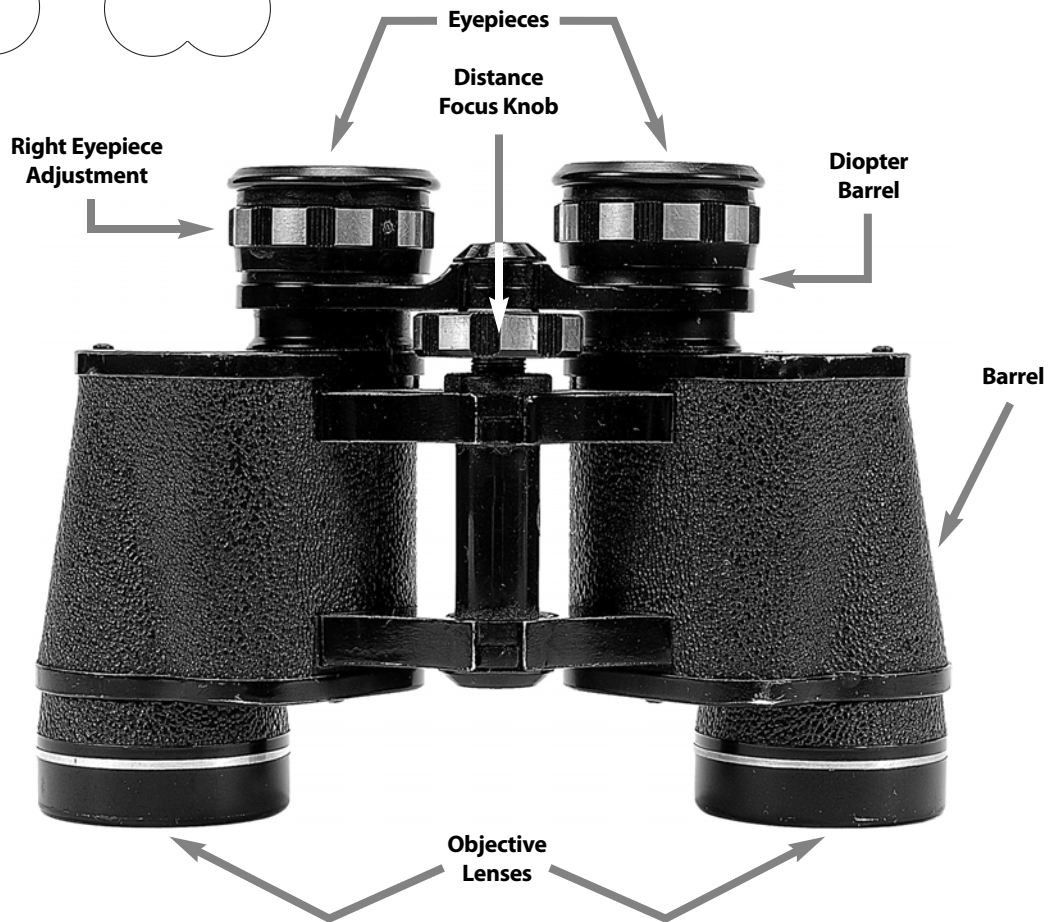
See this:



Not this:



2. Close your right eye and use the distance focus knob to focus for your left eye.
3. Close your left eye and use the separate adjustment on the right eyepiece to focus for your right eye.
4. Open both eyes and view your subject!



Keeping Colorado Wild

The Colorado Division of Wildlife is the state agency responsible for protecting and managing wildlife and its habitat, as well as providing wildlife-related recreation. The Division is funded by hunting and fishing license fees, federal grants, and Colorado Lottery proceeds through Great Outdoors Colorado.

3/2010